

This document is exclusive MARECO LUCE s.r.l., is strictly prohibited disclosure or reproduction, even partial, as well the use of without written consent of MARECO LUCE s.r.l. The company reserves the right to change models, dimensions and materials at any time without notice.

PRODUCT DATA SHEET

Aquarius Led

Code : CR011073

PRODUCT FAMILY

Outdoor residential or underwater LED flood light, circular shaped with bracket or for wall (IP68)

MATERIAL CHARACTERISTICS

Body made from thermo-setting resin (BMC), white in colour

Diffuser in flat, clear, tempered glass, 12mm thickness

Bracket in stainless steel AISI 316L

Colour: Stainless steel - White

Screws in stainless steel A2

LIGHTING CHARACTERISTICS

- Monochromatic Led 3x1W (total led absorption 3,5W) 300lm 4000K neutral white (NW) supply tension 220-240V 50-60Hz

- Monochromatic Led 3x1W (total led absorption 3,5W) 270lm 3000K warm white (WW) supply tension 220-240V 50-60Hz

- Lenses in PMMA, highly transmittant 10°

- Heatsink plate, made from aluminium

- Immediately ON at 100% of light flux

WIRING CHARACTERISTICS

M20x1.5mmq metric cable gland for Ø8mm to Ø13mm cable.

2x1.5mmq H07 RN-F Supply cable, 5mt

Remote driver 12VDC (not supplied)

INSTALLATION AND ORDINARY MAINTENANCE CHARACTERISTICS

Bracket for wall mounting, fixed with n.2 screws (not supplied)

Ordinary maintenance (not necessary) by removing the n.4 screws from ring and removing diffuser

MEASUREMENT CHARACTERISTICS

Light fitting, circular shaped with a Ø180mm and a height of 100mm (not including cable gland)

Fitting width 230mm, total depth of recessed box 245mm (not including cable gland) and overhang 16mm

ACCESSORIES

-Compulsory

Electronic Driver 20W (IP20) 12VDC (code: CS160010)

Electronic Driver 70W (IP67) 12VDC (code: CS160008)

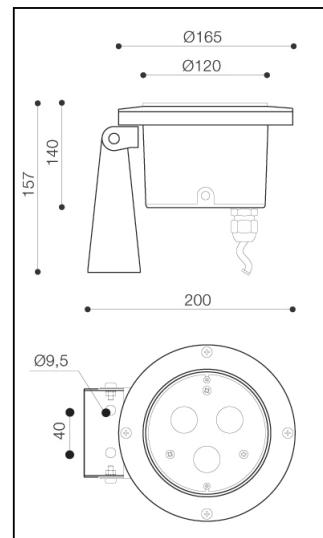
-Optional

IP68 Connector (code: CS093000)

T'-3 way IP68 Connector (code: CS093001)

Details

- Conformity with CEE directives
- Class III
- Mounting on normal flammable surface
- Energy-saving fittings
- Resistant to atmospheric agents
- Inalterable to ultraviolet radiations
- IP 68



230V 50Hz 3,5W

