

This document is exclusive MARECO LUCE s.r.l., is strictly prohibited disclosure or reproduction, even partial, as well the use of without written consent of MARECO LUCE s.r.l..The company reserves the right to change models, dimensions and materials at any time without notice.

PRODUCT DATA SHEET

Lira 40 Led Round

Code : 4040184W

PRODUCT FAMILY

Round frame IP67 LED marker light for ground or wall mounting. Drive-over (500kg max. at 20km/h), requiring recessed box or locking mechanism for ceiling mounting.

Rev 02 - 23/03/2015

MATERIAL CHARACTERISTICS

Body in S.Steel AISI 316L
 Ring in S.Steel AISI 316L with 2mm thickness and polished finish
 Diffuser in flat, tempered glass, and with a thickness of 5mm
 Colour: S.Steel
 Gaskets in silicone
 Screws in stainless steel A2

LIGHTING CHARACTERISTICS

Monochromatic Led 4000K neutral white (NW) (electronic driver not included)
 1W supplied in 350mA - 142 lm
 2W supplied in 500mA - 192 lm
 3W supplied in 700mA - 249 lm
 Monochromatic Led 3000K warm white (WW) (electronic driver not included)
 1W supplied in 350mA - 109 lm
 2W supplied in 500mA - 147 lm
 3W supplied in 700mA - 191 lm
 Lenses in either:
 - 10°
 - 30°
 - 46°
 - Asymmetric 12°x50°
 Immediately ON at 100% of light flux
 LEDs are in a fixed position

WIRING CHARACTERISTICS

40cm of H05 RN-F 2x0.5mmq cable supplied with PG9 cable gland
 IPSCProtected against Reversal of polarity, Overvoltage and Short circuit

INSTALLATION AND ORDINARY MAINTENANCE CHARACTERISTICS

Recessed light fitting for use with accessories (supplied separately)
 Ordinary maintenance is unnecessary for LED products

MEASUREMENT CHARACTERISTICS

Ring Ø40mm (with 2mm height)
 Depth 56mm
 Maximum drive-over load: 500Kg at 20Km/h (for in ground mounting)

ACCESSORIES:

Compulsory for ground or wall mounting

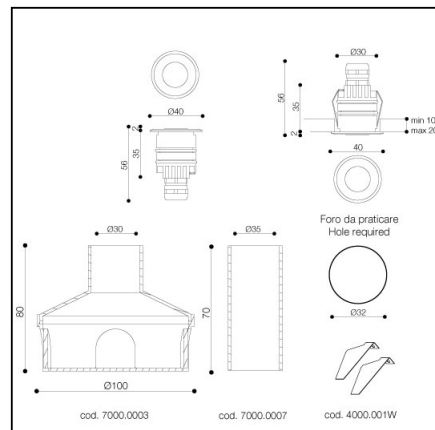
- Recessed box ø100x80mm (Cod. 7000.0003)
- Recessed tube ø35x70mm (Cod. 7000.0007)

Compulsory for false ceiling installation

- False ceiling locking mechanism kit (Cod. 4000.001W)

Details

- Conformity with CEE directives
- Class III
- Mounting on normal flammable surface
- Energy-saving fittings
- Electronic supply
- Resistant to atmospheric agents
- Inalterable to ultraviolet radiations
- Ground recessed
- Wall recessed
- Drive over
- IP 67



Optional:

Electronic driver 6W 350mA (CS160015)min 1 max 4 fittings
 Electronic driver 17W 350mA (Cod. CS160018)min 4 max 12 fittingsmin 1 max 4 fittings
 Electronic driver 9W 500mA (Cod. CS160017)min 1 max 3 fittings
 Electronic driver 24W 500mA (Cod. CS160019)min 4 max 12 fittings
 Electronic driver 6W 700mA (Cod. CS160014)min 1 max 2 fittings
 Electronic driver 33W 700mA (Cod. CS160020)min 4 max 12 fittings
 IP68 connector (Cod. CS093000)
 "T"-3 way IP68 connector (Cod. CS093001)