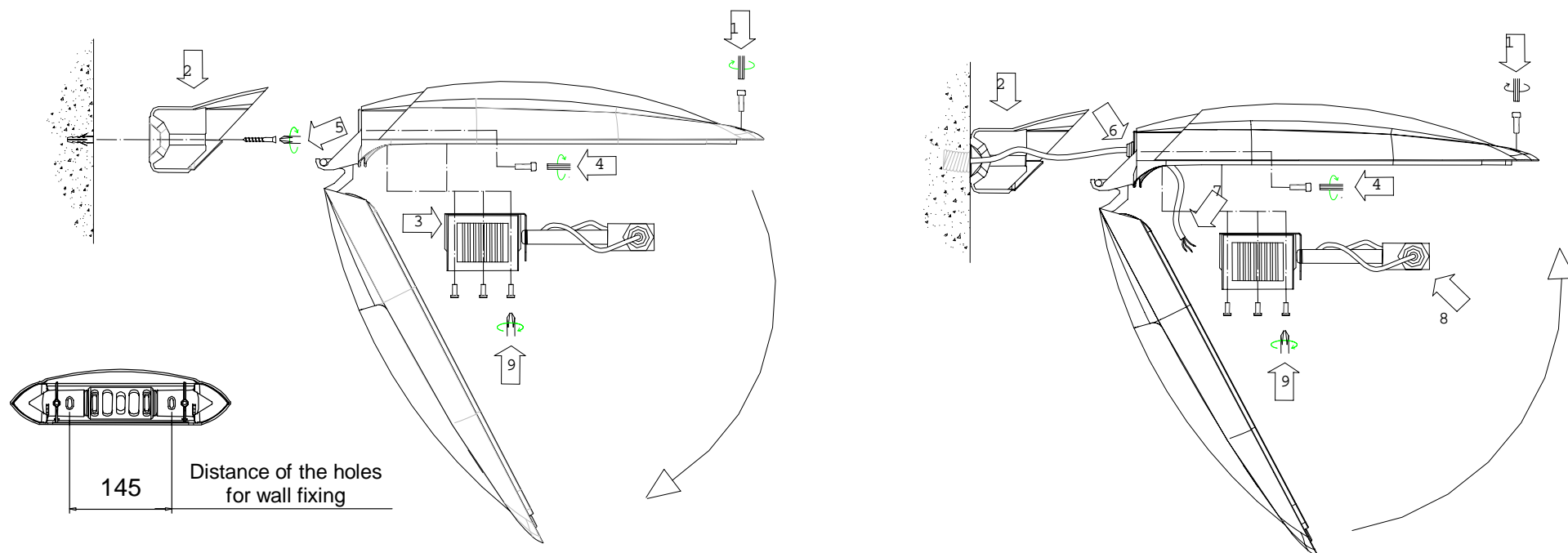


WARNINGS:

- * THE FITTING MUST BE INSTALLED BY A PROFESSIONAL INSTALLER.
- * THE SAFETY OF THIS PRODUCT IS GUARANTEED ONLY WITH THE APPROPRIATE USE OF INSTALLATION INSTRUCTIONS WHICH MUST BE PRESERVED..
- * SWITCH OFF THE ELECTRICITY BEFORE ANY KIND OF MAINTENANCE.
- * IN LED VERSION, THE BALLAST MUST BE SPECIFIC FOR LED'S FITTINGS.



- OPEN THE LOWER PART BY UNTIGHTENING THE FIXING SCREWS (1), PLACED ON THE UPPER PART OF THE FITTING.
- REMOVE THE WIRED PLATE (3) UNTIGHTENING THE FIXING SCREWS (9), THEN LOOSEN THE LOWER PART OF THE FITTING (2) BY UNTIGHTENING THE TWO FIXING SCREWS (4).
- INSERT THE SUPPLY CABLE THROUGH THE CENTRAL HOLE PLACED ON THE LOWER PART (2) THAT WILL BE FIXED LATER ON TO THE MOUNTING SURFACE THROUGH SOME EXPANSIONS CAPS (5) NOT INCLUDED (SEE THE ABOVE PICTURES CONCERNING THE DISTANCE OF THE HOLES FOR WALL FIXING).
- INSERT THE SUPPLY CABLE INTO THE FITTING THROUGH THE CABLE GLAND (6). (IN ORDER TO KEEP THE IP RATE YOU HAVE TO USE A CABLE WITH SHEATH).
- REINSTALL THE FITTING ON THE FIXING DEVICE (2) BY TIGHTENING THE SCREWS (4) AND THEN REPOSITION THE WIRING-HOLDER PLATE (3) FIXING IT WITH THE PROVIDED SCREWS (9).
- CONNECT THE SUPPLY CABLE (7) TO THE TERMINAL BLOCK PLACED ON THE WIRING – HOLDER PLATE (3), AND CONNECT THE EARTH TOO.
- INSERT THE LAMPS (8) NOT INCLUDED.
- CLOSE THE FITTING BY TIGHTENING THE CLOSING SCREWS (1) PLACED ON THE UPPER PART.